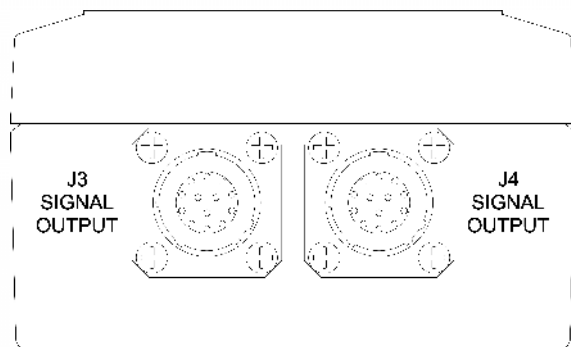
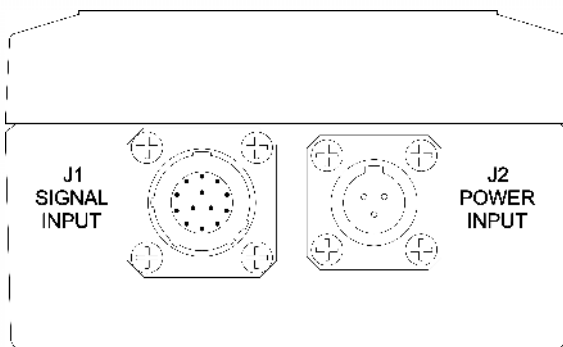


# HAVEQUICK & 1PPS DISTRIBUTION AMPLIFIER (HQS)



## HAVEQUICK and 1PPS Signal Distribution Amplifier 3 x 1PPS + 3 x HQ to ICD-GPS-060



AS9100D Certificate Number : C0210021-AS3



# HAVEQUICK & 1PPS DISTRIBUTION AMPLIFIER (HQS)

## Overview

The Havequick/1PPS Distribution Amplifier (HQS) is a small rugged, DC powered Havequick and 1PPS signal distribution module that is mounted in a 4" x 4" x 2.5" environmentally secure enclosure.

Designed for "fit and forget" operation, this compact, reliable module provides an elegant solution for the distribution of timing reference signals from embedded military GPS receivers, delivering an MTBF of up to 1 million hours operation depending upon configuration.

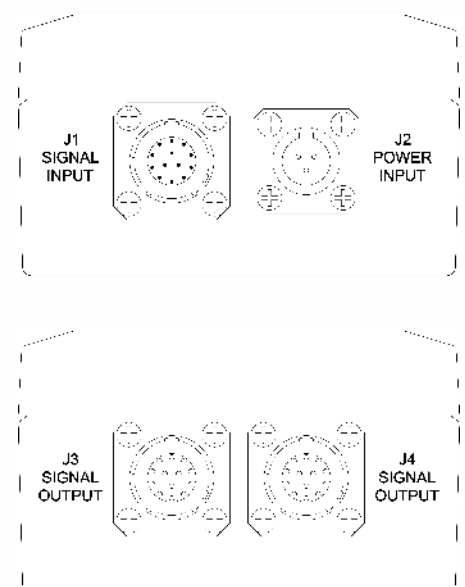
The unit may be configured for single ended or differential signals as required for the application (factory configured) and is available with various power input options.



## Typical Applications

The HQS was developed to facilitate long cable runs of both 1PPS and Have Quick signals for ships or aircraft requiring these timing reference signals at multiple locations.

The tried and tested, ruggedised enclosure allows the the HQS to be placed in difficult environments and difficult to reach places on ships and aircraft.



# HAVEQUICK & 1PPS DISTRIBUTION AMPLIFIER (HQS)



## Specifications

### Specifications - HAVE QUICK & 1PPS DISTRIBUTION AMPLIFIER - HQS

Signal Inputs	Details
Connector Type	D38999/20WB35PN
1PPS Input	0-10V per ICD-GPS-060 Input impedance : 50 Ohms
Have Quick Input	0-5V per ICD-GPS- 060 Input impedance : 2K Ohms
Signal Outputs	
Connector Type	D38999/20WB35SN
1PPS Outputs x 3	3 off Outputs with 0 - 10V per ICD-GPS- 060 Output impedance : 50 Ohms or Low Z
Have Quick Outputs x 3	3 off Outputs with 0 - 5V per ICD-GPS- 060 Output impedance : 2K Ohms
Power Input	
Connector Type	D38999/20WA98PN
Power Option 1	145 VDC to 162 VDC
Power Option 2	+15 VDC to 36 VDC
Power Consumption	< 5 Watts
Environmental	
Temperature	Operating : 0°C + 50°C Storage : -40°C + 85°C
Humidity	95 % non condensing
EMI	MIL-STD-46, CE102, CS101, CS114,CS116, RE101, RE102, RS101, RS103
Settling Dust	Base material coatings and surface treatments resilient to erosion.
Operational Vibration	Shipboard Type I MIL-STD-167-1A.
Transportation Vibration	MIL-STD-810F Method 514, Procedure I Categories 4, 7, 8, and 10.
Shock	MIL-STD-810F [3] Method 516 20g/15ms saw tooth pulse
Physical	
Dimension without connectors	3.94"x 3.94"x 2.36" (100mm x 100mm x 60mm)
Dimension with connectors	3.94"x 3.94"x 2.36" (100mm x 150mm x 60mm)
Reliability	
MTBF	> 1,000,000 hours
Ordering Information	
Pt No : 001-0282	Module HQ/1PPS DISTR, 6 way 15 - 36VDC Input

# Satisfied customers include..

ABB Singapore

Airbus Defence & Space

ASM Technologies Ltd

Atkins

Babcock International

BAE Systems

BBC

Carillion Rail

CMC Engineering Malaysia

EDF Energy

Finmeccanica, UK

Indian Navy

Jakarta Metro

Leonardo Electronics Defence And Security

London Stock Exchange

London Underground

MBDA Ltd

MTRC Hong Kong

National Air Traffic Services

NEC

Network Rail National

Northrop Grumman Park Air Systems Ltd

Qinetiq Ltd

Raytheon Systems Ltd

Rockwell Automation

SBS Transit Singapore

Siemens Rail

Siemens Rail Automation Holdings Ltd.

Singapore Stock Exchange

St Electronics Singapore

Telent Technology Services Limited

Teligent

Thales UK

Transport For London

Viacom



Asia, China, India, Japan

Mr Neil Pitman  
Director of Sales - Asia  
China, India, Japan

+44 (0) 1376 5141 14 Phone  
neil.pitman@timefreq.com

Europe, Middle East, Africa, Australia

Mr David Wright  
Director of Sales, Europe, Middle East,  
Africa, Australia

Tel : +44 (0) 1694 722891  
dwright@timefreq.com

United Kingdom

Mr Mark Aheme  
Director of Sales, UK

Tel : +44 (0) 1376 5141 14  
mark.aheme@timefreq.com

**tfs** Time & Frequency Solutions

25 Eastways, Witham, Essex, CM8 3AL, UK  
Phone +44 (0) 1376 5141 14 | Fax +44 (0) 1376 5161 16  
enquiries@timefreq.com

**Brandywine**  
communications

153 Warner Ave, Tustin, CA 92780, USA  
Phone +1 714 755 1050  
Info@brandywinecomm.com

Please visit our web sites at [www.brandywinecomm.com](http://www.brandywinecomm.com) or [www.timefreq.com](http://www.timefreq.com) or call one of our regional offices.